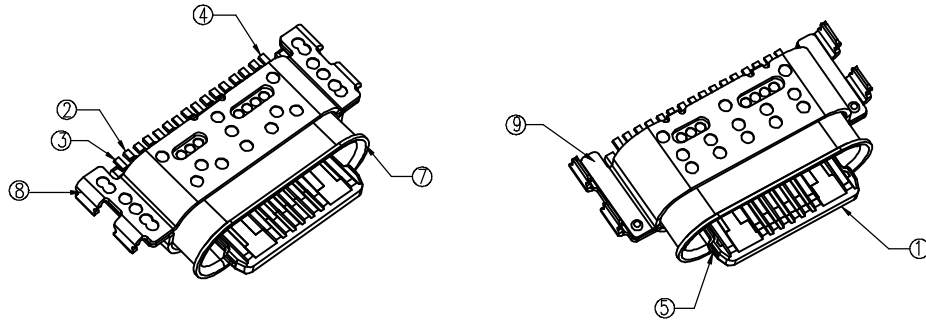


A3

NOTES 1:

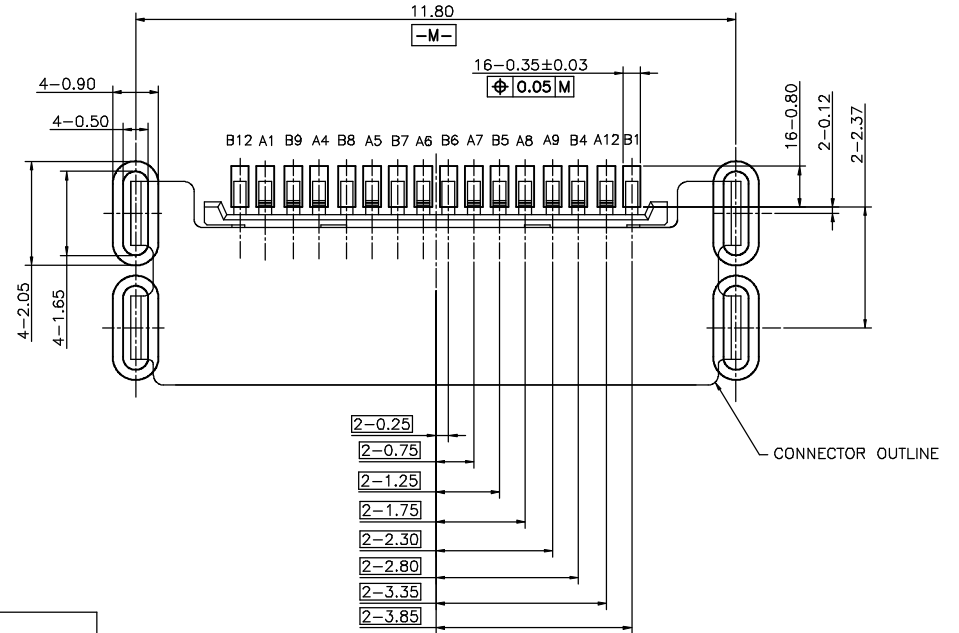
- 1.ELECTRICAL CHARACTERISTICS:
 - 1.1 CURRENT RATING: VBUS AND GND CONTACTS RATED AT 2.5A MAX., PARALLELED FOR A TOTAL OF 7.5A MAX.
 - 1.2 TEMPERATURE RANGE: -40 °C ~ 85 °C
 - 1.3 CONTACT RESISTANCE: 30 MILLIONHM MAX.
 - 1.4 DIELECTRIC WITHSTANDING VOLTAGE: 500 VAC r.m.s
 - 1.5 INSULATION RESISTNACE: 100 MEGOHMS MIN.
- 2.MECHANICAL CHARACTERISTICS
 - (11-20) 2.1 INSERTION FORCE: 5~20N
 - (11-20) 2.2 EXTRACTION FORCE: INITIAL:8~20N; DURABILITY:8~20N(1000CYCLES),6~20N(10000CYCLES);
 - 2.3 DURABILITY:10,000CYCLES.
 - (11-20) 2.4 中间铁片与外铁壳焊接后顶出强度50kgf Min.
 - (11-20) 2.5 上下壳焊接后剥离强度50kgf Min.
- 3.ENVIROMENTAL SUBSTANCE CONTROL SHOULD COMPLY WITH FAF JH-GP-213'S SPECIFICATION;
- 4. HOUSING FLASH: 0.10 MM MAX,METAL BURR:0.05 MM MAX.
- 5. P/N DEFINITION:

3.118A0-016-7R0 WITHOUT O-RING

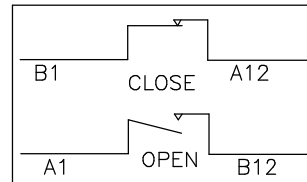


PIN ASSIGNMENTS

No.	NAME	DESCRIPTION	No.	NAME	DESCRIPTION
A1	GND	GROUND RETURN	B12	SBU	SIGNAL PIN, NOT CONTACT GND
A4	VBUS	BUS POWER	B9	VBUS	BUS POWER
A5	CC1	CONFIGURATION CHANNEL	B8	SBU2	SIDEBAND USE(SBU)
A6	DP1	POSITIVE HALF OF USB2.0 DIFFERENTIAL PAIR-POSITION1	B7	DN2	NEGATIVE HALF OF USB2.0 DIFFERENTIAL PAIR-POSITION2
A7	DN1	POSITIVE HALF OF USB2.0 DIFFERENTIAL PAIR-POSITION1	B6	DP2	POSITIVE HALF OF USB2.0 DIFFERENTIAL PAIR-POSITION2
A8	SBU1	SIDEBAND USE(SBU)	B5	CC2	CONFIGURATION CHANNEL
A9	VBUS	BUS POWER	B4	VBUS	BUS POWER
A12	GND	GROUND RETURN	B1	GND	GROUND RETURN
MID PLATE	GND	GROUND RETURN,CONTACT A1	MID PLATE	GND	GROUND RETURN,CONTACT A12&B1



P IN内部说明:



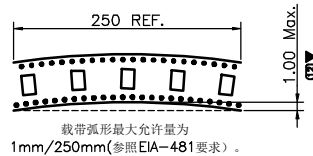
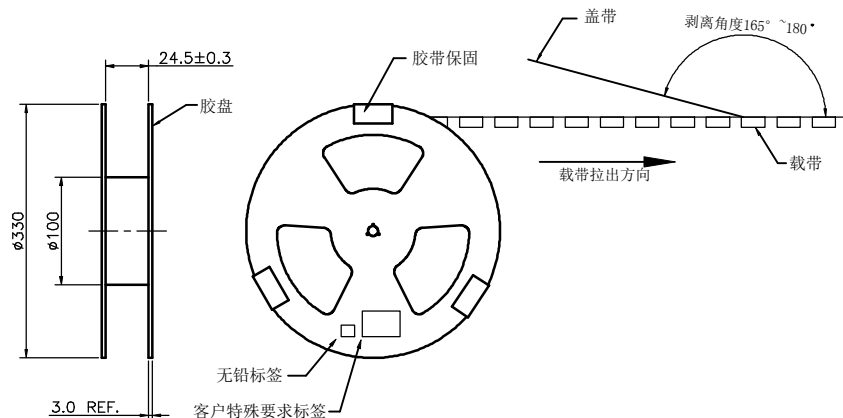
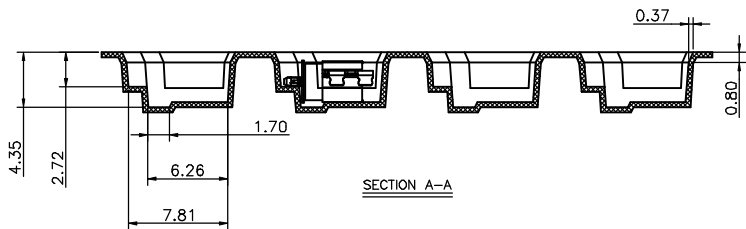
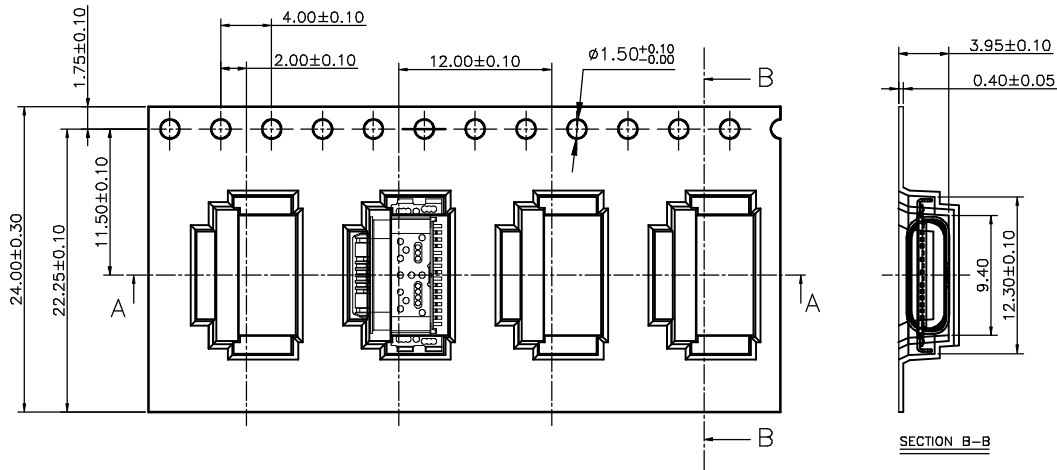
RECOMMENED PCB LAYOUT(T=0.80)
SCALE: 2:1(GENERAL TOLERANCE±0.05)

10	GLUE	1PCS	MICROCOAT SI423-78B	BLACK
9	LOWER_SHELL	1PCS	SUS301-H	50u"Min,NICKEL
8	UPPER_SHELL	1PCS	SUS301-H	SOLDER AREA:1u~3u"Au PLATING
7	INNER_SHELL	1PCS	SUS316L	
6	PAD	2PCS	SUS301-1/2H	/
5	MID PLATE	1PCS	SUS301-H	/
4	LOWER CONTACT-2	1SET	C7025-TM04S	Ni 50u"Min
3	LOWER CONTACT-1	1SET	C18400-540	CONTACT AREA:30u"Au BRUSH PLATING
2	UPPER CONTACT	1SET		SOLDER AREA:2~8u"Au BRUSH PLATING
1	HOUSING	1PCS	PA46 HFX33S,UL 94V-0	BLACK
NO.	PARTS NAME	QTY	MATERIAL	FINISH

EXTEND USE		TITLE		FAF.	
16PIN TYPE-C REC CONN		UNIT	mm	3.118A* CONN.	
GENERAL TOLERANCE		MATERIAL		Customer Drawing	
DIMENSION		APPD		DWG NO	
.0 ±0.30		CHD		C-3.118A0	
.0 ±0.20		DRN		P/N:	
.00 ±0.10		DRN		SEE TABLE	
.000 ±0.05		FINISHED		SHEET	
		2/3		SCALE	
		2019.10.29		1:1	
		REV		X6	

A3

REV	ECN NO	DESCRIPTION	DATE	APPD



1. 包装方式:

- 使用自动包装机, 先将载带送入导轨中, 再用盖带贴合在上面其中初始20个槽不放置产品, 然后将产品如图示依次放入槽中, 每槽放置1PC产品, 每卷共装1000PCS产品, 最后需留20个槽不放置产品;
 - 用胶带将载带粘在一起, 外用再用PE带缠绕一圈保固, 并用3PCS胶带将卷盘的两边粘上保固, 再贴上标签, 标签内容要清晰完整;
 - 将卷盘装入防潮袋, 再放置2PCS干燥剂, 并尽可能抽出袋内空气, 最后用热封机将防潮袋封好, 不可漏气;
 - 如图示在外箱底部先放入1PC纸板和1PC气泡布, 将5PCS已装好产品的卷盘以标签朝上的方式平放入外箱中, 然后在外箱的四角放入折叠板, 最后在外箱上放置1PC气泡布和1PC纸板;
 - 外箱用胶带成工字形封箱, 贴上外箱标签, 清晰完整地填写相关内容; 若产品包装不满一整箱时, 需在外箱标签下方加贴1PC尾数箱标签, 整箱则无需贴此标签。
 - 一栈板最多放置5层外箱, 每层放9箱(3X3), 在堆叠好外箱的八个棱角用边条保护, 再缠绕保鲜膜10层。
2. 注意事项:
- 防止漏装, 防止异物装入, 禁止碰歪产品锡脚;
 - 盖带与载带剥离力: 20~130gf, 剥离角度165°~180°, 剥离速度300mm/min;
 - 来料、生产及包装运输过程必须满足FAF JH-GP-213《环境管理物质限用作业程序》要求
3. BOM(一箱用量)

名称	FAMPULL P/N	SPEC.	Q' TY
产品	3.118A0-016-7R0	USB TYPE C 16 PIN	6000pcs/箱
载带	3.118U0-000-0RE	材质PS, 0.40mm厚度	6240pcs/箱
盖带	U.001VW-015-00A	透明料, W=20.7mm(自粘)	78m/箱
卷盘	U.014RB-003-002	直径330mm, 内径100mm, 宽度24.5mm	6PCS
外箱	U.003CZ-060-001	L345*W345*H215	1PSC
防潮袋	U.000BZ-007-004	600*800	1PCS
纸板	U017CZ-010-001	345mm*345mm*3mm	2PCS
气泡布	U000SZ-009-004	345*345mm, T=13mm	2PCS
折叠板	U012CZ-002-001	155*102*102*130	4PCS
卷盘标签	U.001LW-000-001		6PCS
外箱标签	U.001LW-001-001		1PCS
干燥剂			2PCS

EXTEND USE		TITLE	
16PIN TYPE-C REC CONN	UNIT mm	3.118A* CONN.	Customer Drawing
GENERAL TOLERANCE		MATERIAL	APPD
DIMENSION	ANGLES	QTY	CHD
.0 ±0.30	±3'	FINISHED	DRN
.0 ±0.20	.0 ±2'		
.00 ±0.10	.00 ±1'		
.000 ±0.05			

FAF.	
DWG NO	C-3.118A0
P/N:	SEE TABLE
SHEET	SCALE
3/3	1:1
REV	X6